



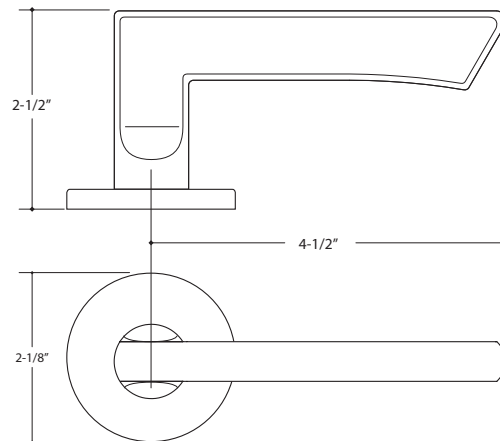
**WATER STREET**  
JAMESTOWN NEW YORK



**23132 FLAT GRIP LEVER**  
Pricing Tier II

**20057 ROSETTE, 2-1/8"**

Made to order. Custom sizes available.  
Lead times and pricing upon request.



2155 Allen Street Extension • Falconer NY 14733-1704  
Phone: (716) 763-0059 • Toll Free: (855) 664-4321  
info@waterstreetbrass.com • www.waterstreetbrass.com