



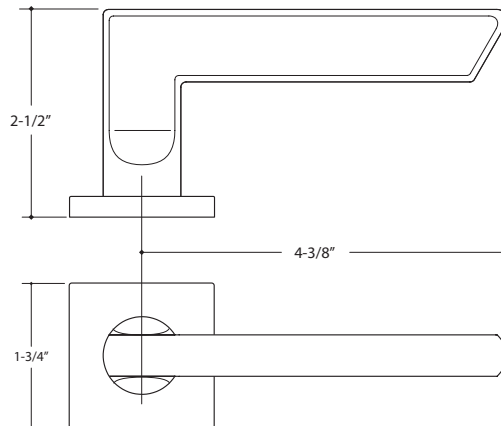
WATER STREET.
JAMESTOWN NEW YORK



23131 FLAT LEVER
Pricing Tier II

20050 ROSETTE, 1-3/4" X 1-3/4"

Made to order. Custom sizes available.
Lead times and pricing upon request.



2155 Allen Street Extension • Falconer NY 14733-1704
Phone: (716) 763-0059 • Toll Free: (855) 664-4321
info@waterstreetbrass.com • www.waterstreetbrass.com