



WATER STREET.

JAMESTOWN NEW YORK



LEFT HAND HINGE SHOWN

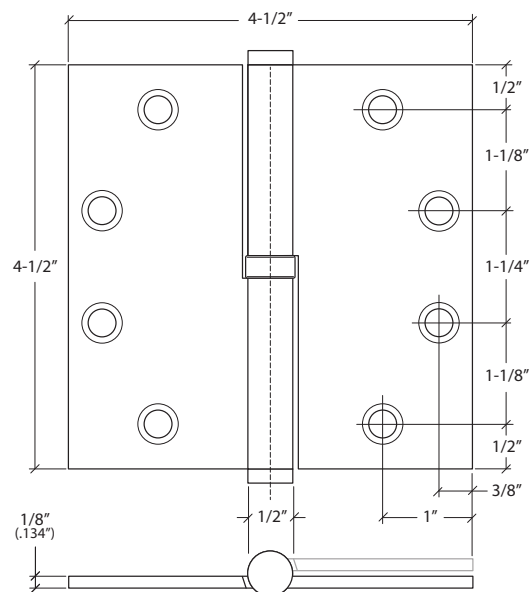
29739L 4-1/2" X 4-1/2"
ROUND BARREL
LIFT OFF HINGE
LEFT HAND

29739R 4-1/2" X 4-1/2"
ROUND BARREL
LIFT OFF HINGE
RIGHT HAND

1/2" FINIALS

Lift off hinges - handing required.

Made to order.



2155 ALLEN STREET EXTENSION • FALCONER NY 14733

PHONE: (716) 763-0059 • TOLL FREE: (855) 664-4321 • FAX: 716-763-6043

INFO@WATERSTREETBRASS.COM • WWW.WATERSTREETBRASS.COM

Rev. 2025