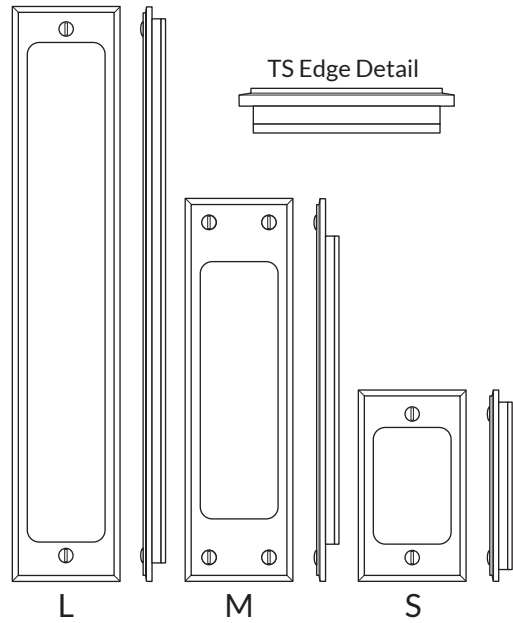




21267 Passage Flush Pull



TS EDGE DETAIL - SQUARE PROFILE

	Part Number	Width	Height
L	21266	2-1/4"	12"
M	21230	2-1/4"	8"
S	21267	2-1/4"	4"

The small flush pull can be used on doors 1-3/8" thick or greater.

- Passage function only

Surface mounting only.

When paired with a model 2000 edge pull, the flush pull should be offset from the edge pull body.

All escutcheons made to order.