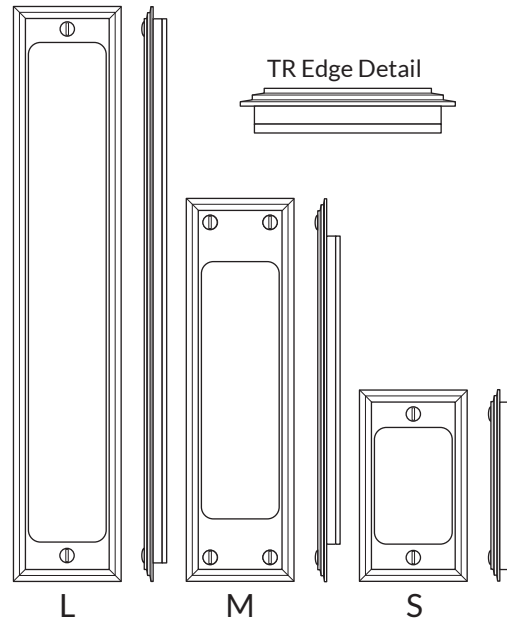




21210 Passage Flush Pull



TR EDGE DETAIL - SQUARE PROFILE

	Part Number	Width	Height
L	21246	2-1/4"	12"
M	21210	2-1/4"	8"
S	21247	2-1/4"	4"

The medium sized flush pull can be used on doors 1-3/8" thick or greater. Functions include:

- Entry
- Privacy or patio
- Passage

Surface mounting is standard.
Through bolting is not available with 2002 model locks.

All escutcheons made to order.