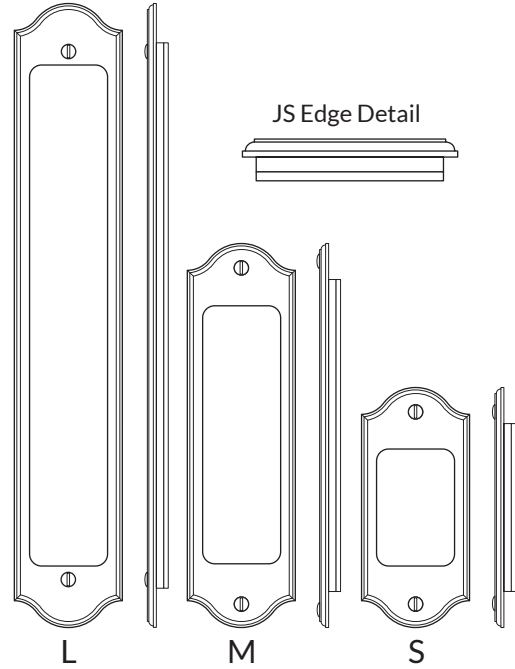




21169 Passage Flush Pull



JS EDGE DETAIL - TOMBSTONE PROFILE

	Part Number	Width	Height
L	21168	2-1/4"	13"
M	21122	2-1/4"	8"
S	21169	2-1/4"	5"

The small flush pull can be used on doors 1-3/8" thick or greater.

- Passage function only

Surface mounting only.

When paired with a model 2000 edge pull, the flush pull should be offset from the edge pull body.

All escutcheons made to order.