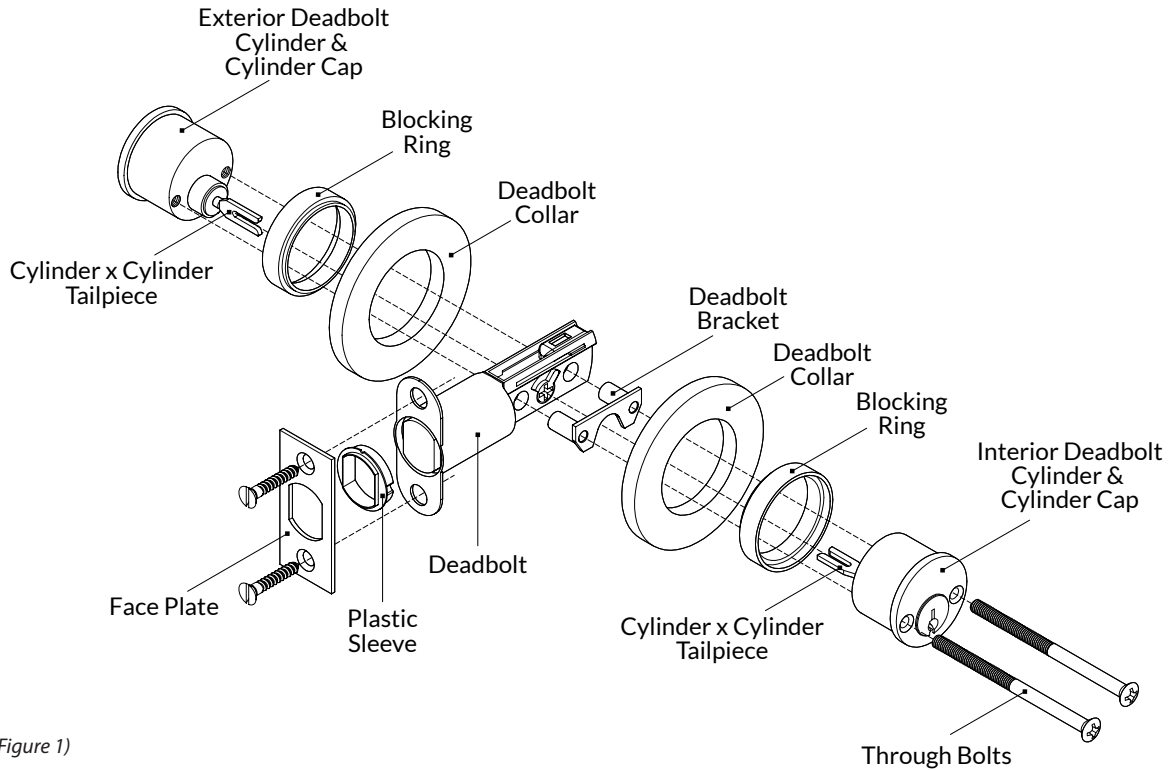




WATER STREET

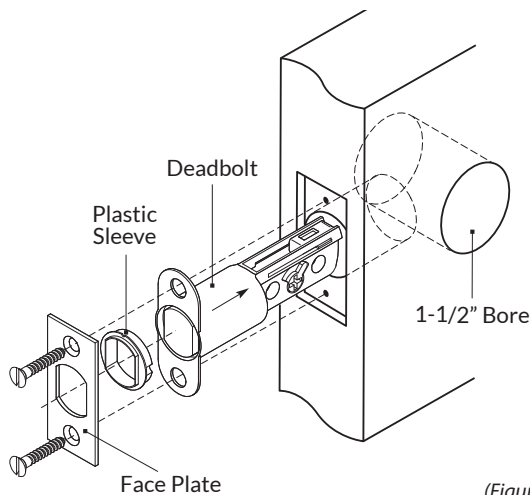
JAMESTOWN NEW YORK

TDB-CC - TUBULAR DEADBOLT ENTRY SET CYLINDER X CYLINDER



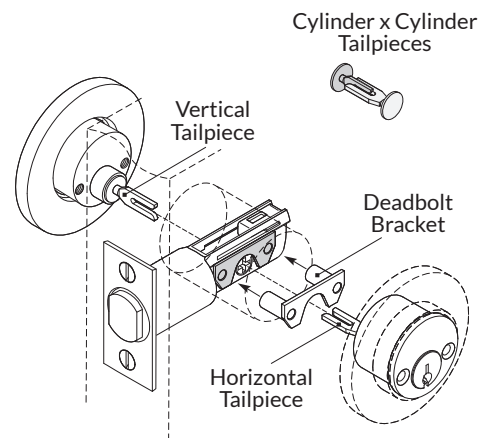
PREPARE DOOR & INSERT DEADBOLT

1. Determine the desired location of the deadbolt on your door. Prepare the door according to the template provided.
2. Use the face plate to mark the screw locations on the edge of the door, then two pilot holes.
3. Install the deadbolt, plastic sleeve and face plate with the screws provided. Do not over tighten the screws or binding may occur. (Figure 2)



INSTALL CYLINDERS & TRIM

4. Begin by inserting the deadbolt bracket through the deadbolt body from the interior side of the door.
5. Fit the exterior deadbolt cylinder, blocking ring, and exterior deadbolt collar on the door by sliding the tailpiece into the deadbolt hub. Orient this tailpiece vertically, as shown. (Figure 3)
6. Repeat step 5 with the interior cylinder, blocking ring, and deadbolt collar. Orient this tailpiece horizontally and mate the two tailpieces together within the deadbolt body.





WATER STREET.

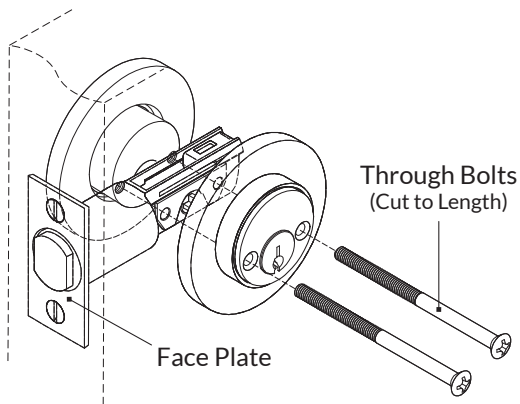
JAMESTOWN NEW YORK

TDB-CC - TUBULAR DEADBOLT ENTRY SET CYLINDER X CYLINDER

7. Complete assembly of the set by screwing the two screws through the interior cylinder and deadbolt body, into the exterior cylinder.
(Figure 4)

Note: Test fit the through bolts and trim to length as needed.

Test the function of the deadbolt with keys on both sides of the door. If binding of the bolt occurs try loosening the face plate screws until smooth operation is achieved.



(Figure 4)

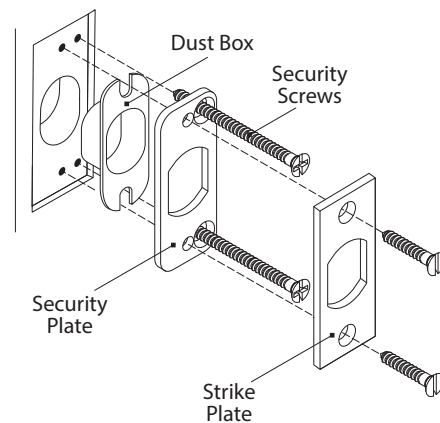
DOOR JAMB

8. Measure the jamb to determine the location the deadbolt strikes when the door is fully closed. Using the strike plate template provided, prepare the door jamb to accept the dust box, security plate, and the strike plate.

9. Begin the installation by inserting the dust box and the security plate in the door cavity. Secure by firmly installing the two security screws into the door jamb.

10. Finish the installation by attaching the strike plate as shown.
(Figure 5)

After installation, if the latch does not fully engage with the strike, loosen the screws and adjust.



(Figure 5)