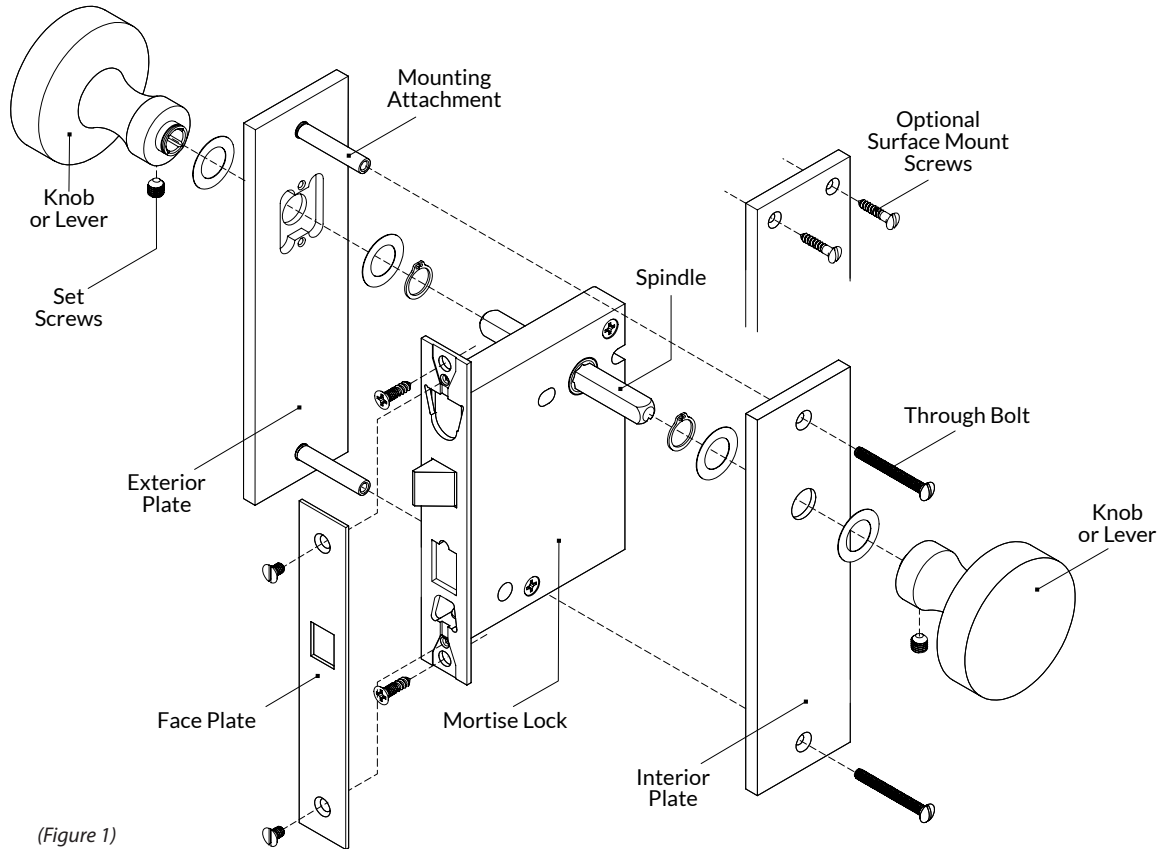




**WATER STREET.**  
JAMESTOWN NEW YORK

## ME-PS - MORTISE ESCUTCHEON PASSAGE SET



(Figure 1)

Mortise passage locks can be ordered with a wide range of features. They may be completely mechanical or feature magnetic latching mechanisms. Various sized plates may be used. Regardless of the plate size or function chosen, the basic installation covered in these instructions remains the same.

### PASSAGE SET

A mortise escutcheon passage set is used on interior doors and is not intended for exterior door applications. A set features a mortise lock and latch operated by a knob or lever on the either side of the door.

- The exterior plate has a door knob or lever, with entry mounting attachments.
- The interior plate has a door knob or lever, with exposed through bolts, and includes a thumb turn.

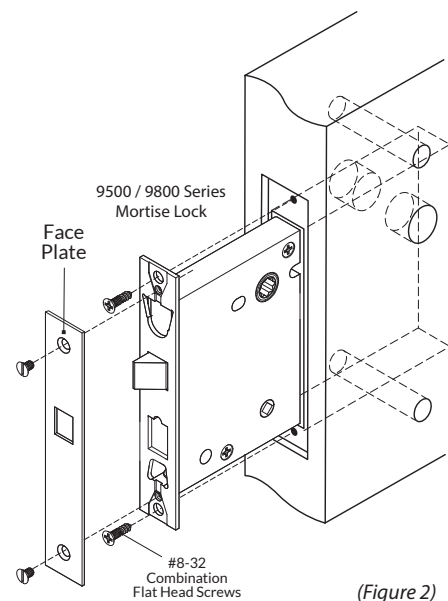
### PREPARE DOOR

1. Prepare the door according to the template provided. If optional surface mount screws are to be used, use the escutcheon plates to mark the hole locations to drill pilot holes.

### INSTALL THE MORTISE LOCK

2. Insert the mortise lock body into the cavity and mark the lock screw locations. Drill pilot holes for the screws, then install the lock using the screws provided. (Figure 2)

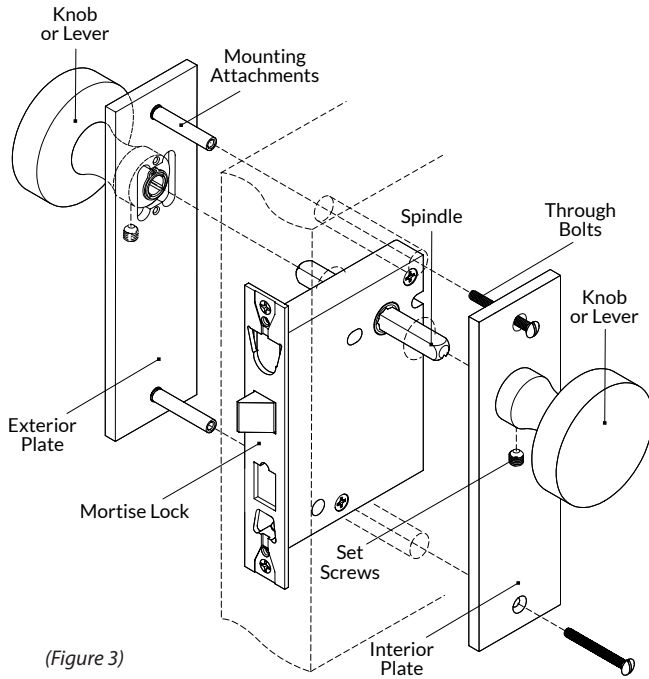
Do not install the lock face plate at this time.



(Figure 2)



## ME-PS - MORTISE ESCUTCHEON PASSAGE SET



(Figure 3)

### INSTALL SPINDLE

- Slide the spindle into the lock hub, centering in the lock body. Make sure the set screw slot is on the bottom, facing the floor. (Figure 3)

### INSTALL THE HARDWARE

- Fit the exterior plate onto the door surface, passing the mounting studs through the bore holes and sliding the exterior door knob or lever onto the spindle. (Figure 3)
- Next, position the interior plate on the door. Slide the knob or lever onto the spindle.
- Loosely install the two through bolts so that they engage with the exterior plate mounting attachments. Make sure both plates are square and parallel to the door edge, and adjust as needed. Tighten through bolts. Test the latch function and adjust plates as required to achieve proper operation.

If surface mount screws are to be used, now is when you should mark the screw hole locations and drill pilot holes. Install the screws.

- Secure the knobs or levers onto the spindle by firmly tightening the set screws with an Allen wrench.
- Install the latch face plate at this time. (Figure 2)

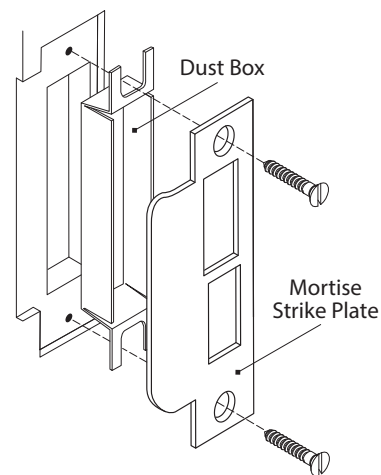
### MORTISE LOCK STRIKE PLATE

Depending on the lock model, function, and handing, the strike plate and dust box may appear differently than shown.

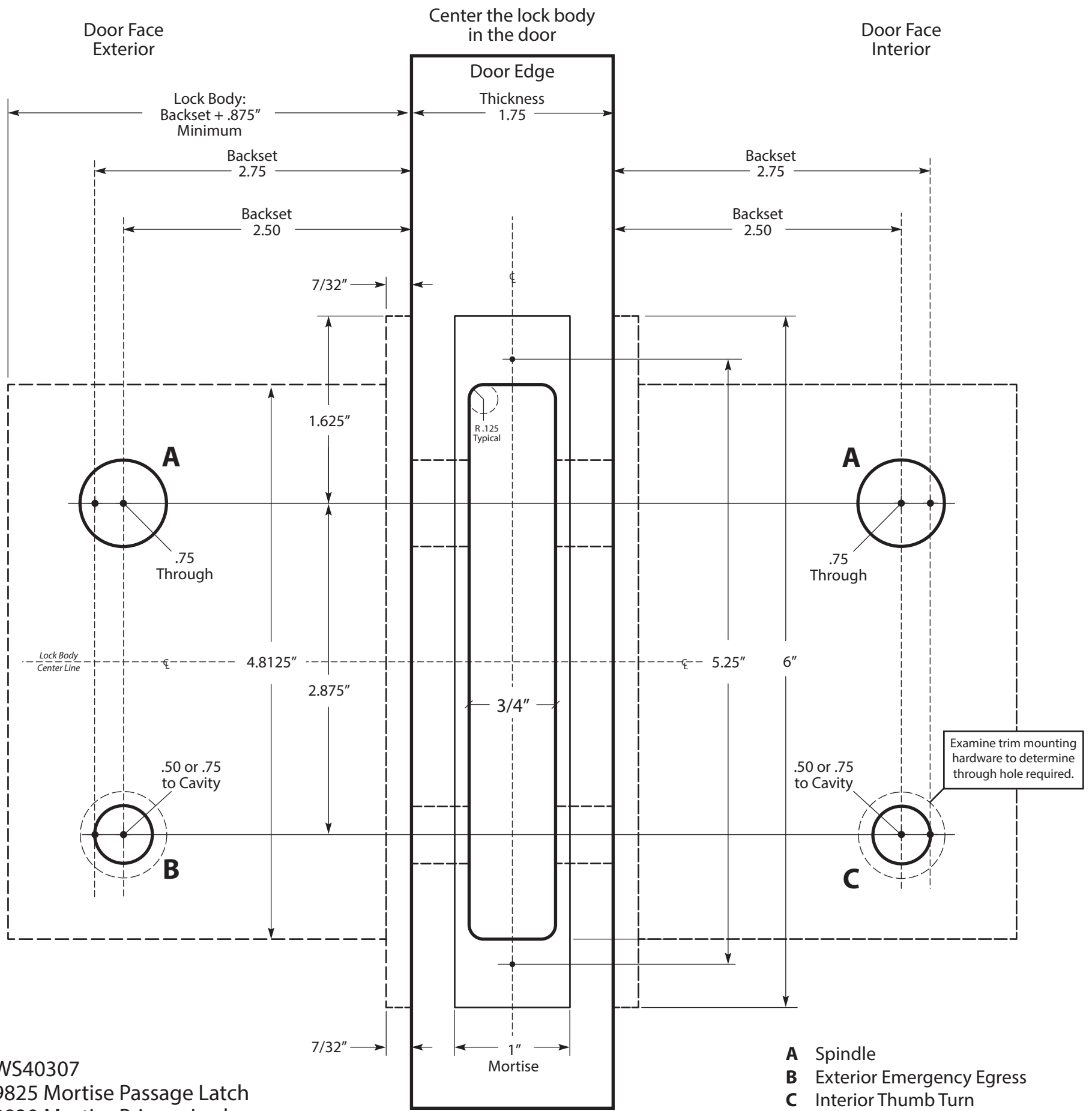
- Measure the jamb to determine the location the latch bolt strikes when the door is fully closed. Using the strike plate template provided, prepare the door jamb to accept the dust box and strike plate.

Note: Determine the handing required. Mortise the jamb accordingly.

- Install the dust box and face plate with the screws provided. Make sure the face plate sits flush with the jamb surface; deepen the cavities as needed. After installation, if the latch does not fully engage with the strike, loosen the screws and adjust. (Figure 4)



(Figure 4)



WS40307  
9825 Mortise Passage Latch  
9839 Mortise Privacy Lock

Proprietary And Confidential

© WSB Hardware, Inc. 2021

Any reproduction in part or as a whole without the written permission of Water Street Brass is prohibited.

### Lock Functions

