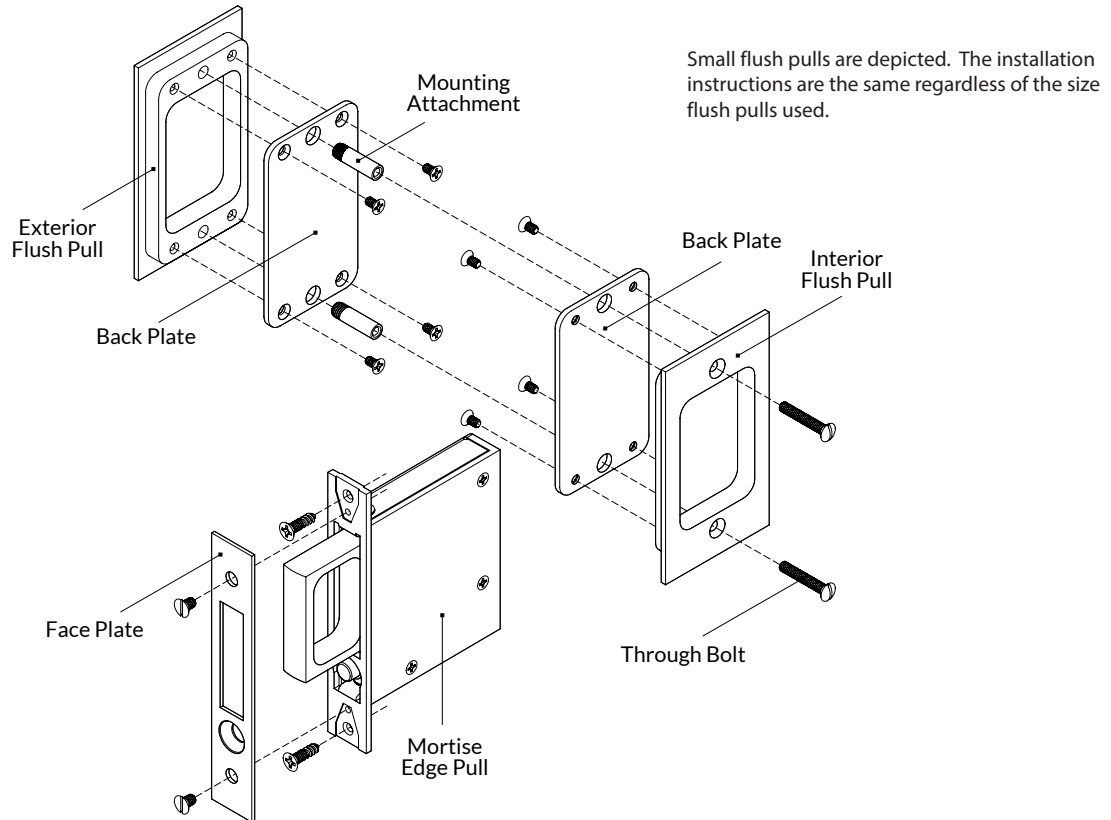




FP-PS FLUSH PULL PASSAGE & DUMMY SETS



(Figure 1)

PASSAGE SET

A flush pull passage set features two flush pulls and a spring loaded edge pull operated by a push button.

- The exterior flush pull has two mounting attachments.
- The interior flush pull has two through bolts.

FULL DUMMY SET

A flush pull full dummy features two flush pulls.

- The exterior flush pull has two mounting attachments.
- The interior flush pull has two through bolts.

Optionally, the set may feature two surface mounted flush pulls.

HALF DUMMY

A flush pull half dummy features one surface mounted flush pull.

PREPARE DOOR

1. Prepare the door according to the template provided. If optional surface mount screws are to be used, use the flush pull plates to mark the hole locations to drill pilot holes.

The edge pull will not accommodate through bolts. Small flush pulls are typically mounted higher or lower on the door than the edge pull or mortise lock.

INSTALL THE EDGE PULL

2. Insert the edge pull body into the cavity and mark the lock screw locations. Drill pilot holes for the screws, then install the edge pull using the screws provided. (Figure 2)
3. Complete the installation by installing the face plate to the edge pull body.

ENTRY SET - INSTALL FLUSH PULLS

3. Position the exterior flush pull in the door cavity.
4. Position the interior flush pull in the door and screw the through bolts into exterior flush pull mounting attachments.