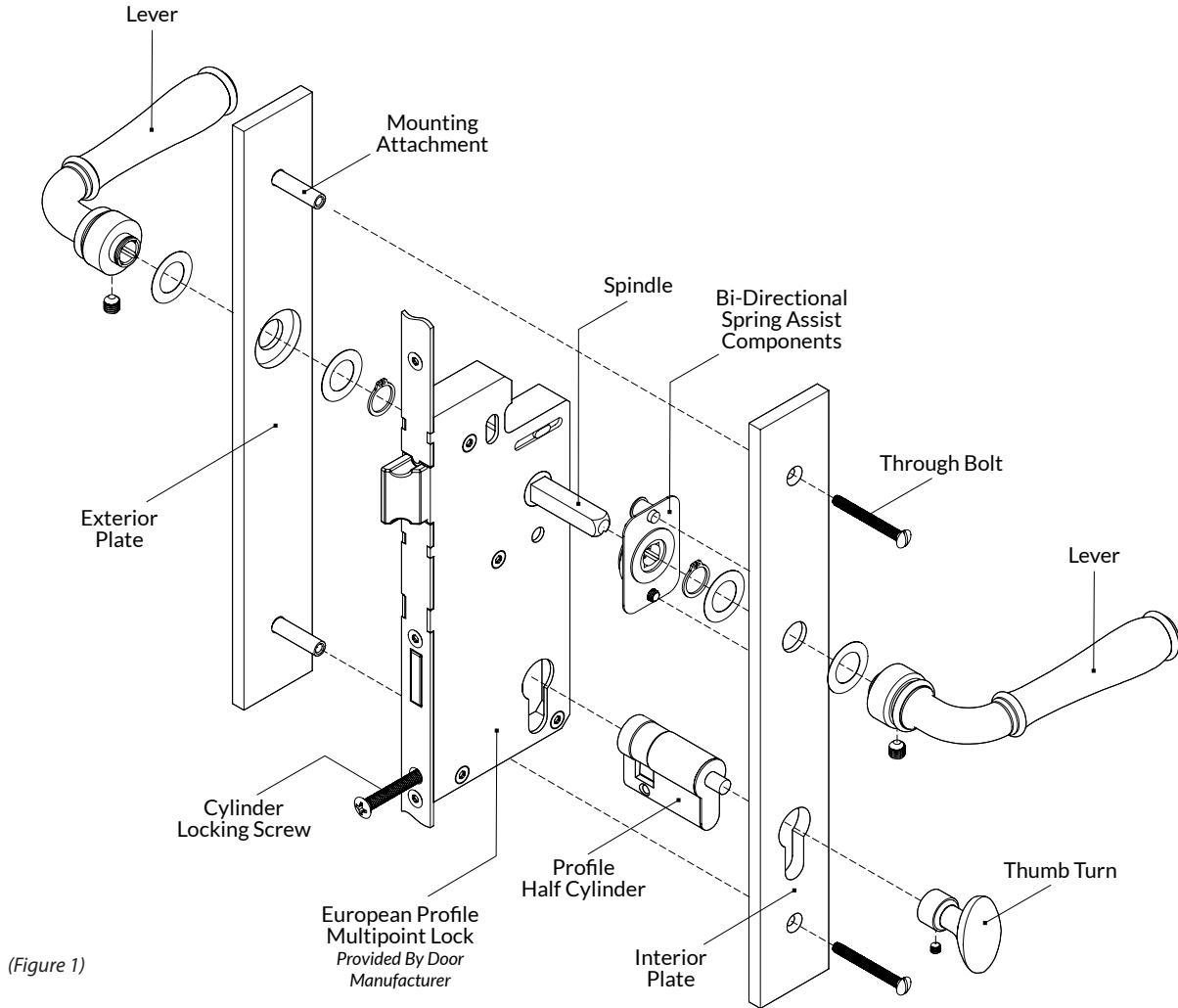




EPMP-PT - EUROPEAN MULTIPOINT PATIO SET



(Figure 1)

PREPARE DOOR

Prior to ordering hardware sets, a multipoint check sheet must be submitted so the hardware is configured to match the door.

Multipoint locks come pre-installed on exterior doors, so the only preparation that should be necessary is for the bi-directional spring assist unit. When preparing the door, **Extreme Care** must be exercised not to damage the lock body.

In some cases, the spring assist unit may be installed on the exterior plate, or on both plates.

1. Using the template provided, prepare the door to accept the bi-directional spring assist unit.

PATIO SET

A multipoint escutcheon patio set features a European profile half cylinder lock body operated by levers.

- The exterior plate has two mounting attachments and an attached active lever.
- The interior plate has two through bolts, a spring assist unit, and an attached active lever. It includes a thumb turn attached to the profile half cylinder. The door can be locked or unlocked from the inside only.

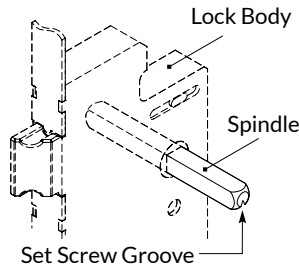


EPMP-PT - EUROPEAN MULTIPOINT PATIO SET

INSTALL THE SPINDLE

2. Slide the spindle into the lock hub, centering in the lock body. Make sure the set screw groove is on the bottom, facing the floor. (Figure 2)

3. While holding the spindle in place, position the exterior plate assembly into the door, sliding the lever onto the spindle. When the plate is firmly against the door surface, tighten the lever set screw, securing the spindle in lever.



(Figure 2)

INSTALL THE HARDWARE

4. Install the interior plate by sliding the spindle through the spring assist unit and into the interior lever. Snug the plate to the door surface, then hand tighten the two through bolts into the exterior plate mounting attachments.

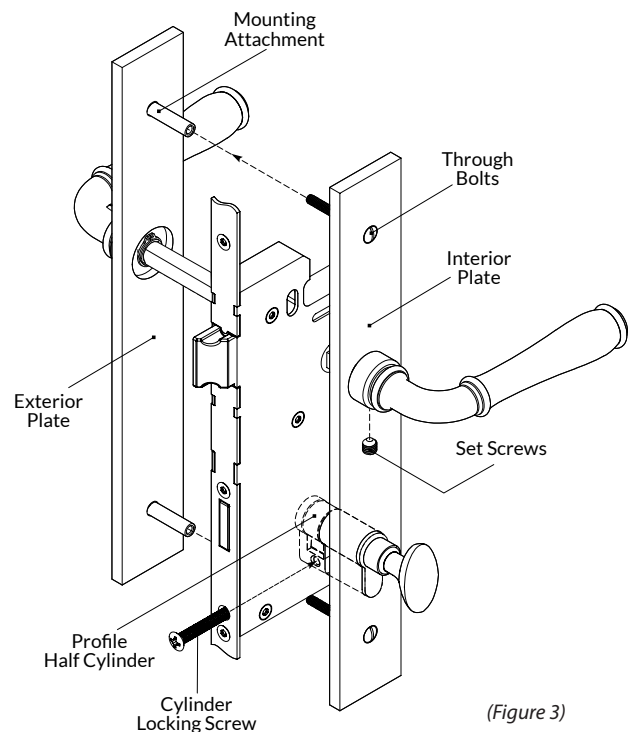
5. Carefully slide the European profile cylinder through the interior plate and into the lock body.

6. Secure the lock cylinder in place by installing the cylinder locking screw from the edge of the door. (Figure 3)

When properly positioned, the thumb turn will rotate the cam and activate the locking mechanism. Patio doors have no access to the lock from the exterior side of the door.

7. Square the plates to the edge of the door, then test the function of the levers and the lock cylinder. When satisfied that the lock is functioning properly, tighten the through bolts.

8. Complete the installation by tightening the set screw on the interior lever.



(Figure 3)

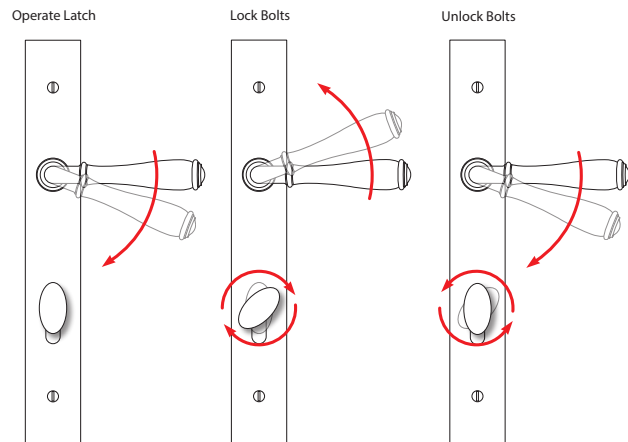
OPERATING THE DOOR

On Multipoint doors, the latching mechanism on an unlocked door is activated by pushing the lever down.

The locking mechanism is activated by pulling the lever up, then turning the thumb turn in a clockwise direction.

To unlock the door, press down on the lever then turn either the thumb turn or key. (Figure 4)

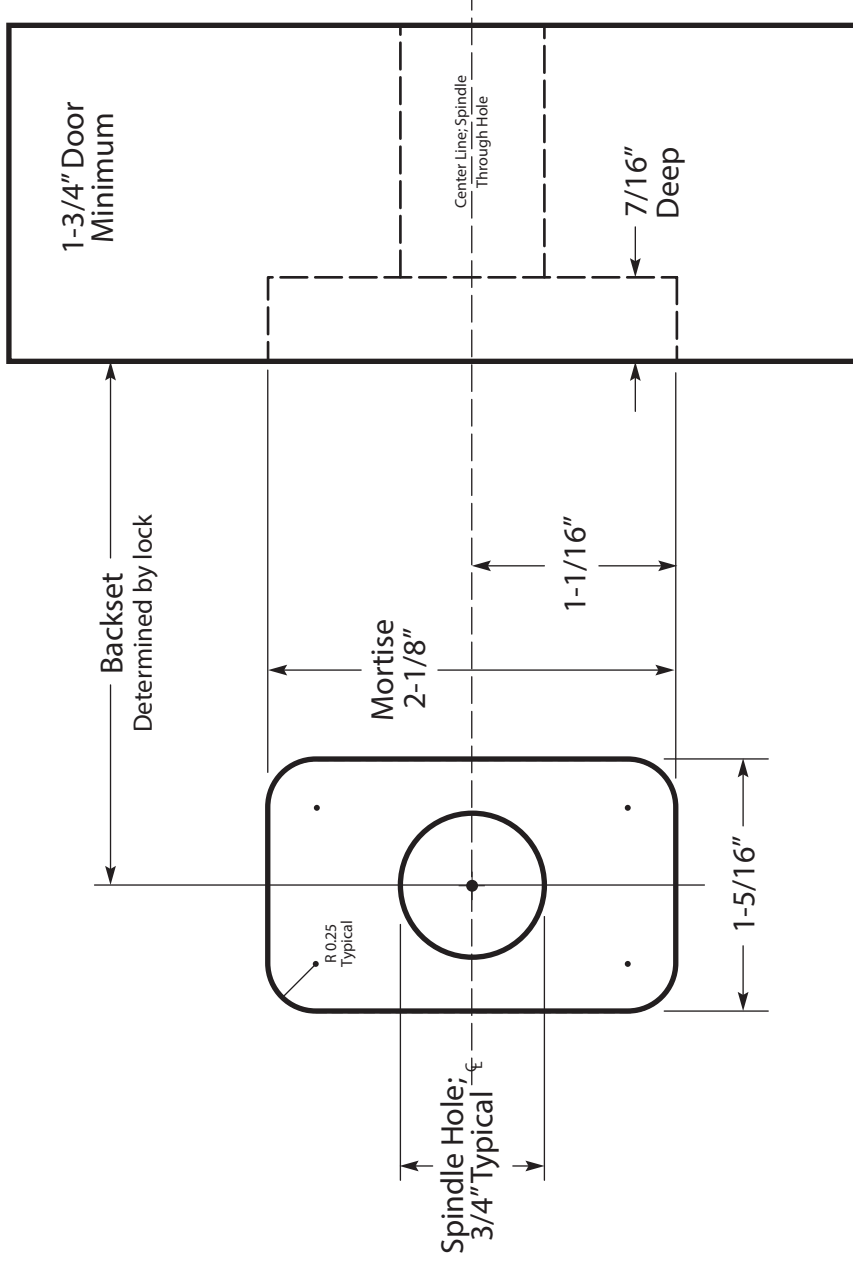
Make sure these functions are working properly with your new hardware. If the hardware does not operate by this method, consult the lock instructions provided by the door manufacturer.



(Figure 4)



WATER STREET



This preparation is for a bi-directional spring assist installed on **WOODEN** or **METAL CLAD** multipoint doors.

The door is already drilled and mortised for the lock being used. This additional mortising instruction is for the spring assist only. Examine your hardware and determine which side of the door will be housing the spring assist. Drill and mortise accordingly.

Extreme care must be taken not to damage the pre-installed lock body in any way! If possible, remove the lock body prior to drilling and replace after assuring the spring assist fits in the new cavity. Water Street Brass is in no way responsible for damage to your door or lock as a result of the door preparation.

WS40202

Bi-Directional Spring Assist
Multipoint Door Preparation

