



# WATER STREET

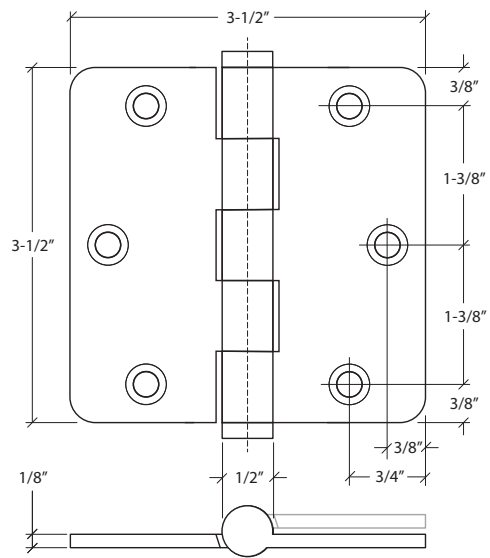


29476 FINIAL SHOWN

29550 3-1/2" X 3-1/2" HINGE -  
ARCHITECTURAL  
1/4" RADIUS CORNERS  
1/2" FINIALS

Made to order.  
Lead time 4 - 6 weeks.

Manufactured in Lakewood, NY.



## 1/2" FINIAL SELECTION



29451



29456



29461



29466



29471



29476



29486



29486.C



29486.D



29486.R



29481



29496



29496.C



29496.D



29496.R



29491



29491.C



29491.D

### HOW TO ORDER YOUR DOOR HINGES AND FINIALS

To order, specify the hinge number then the desired finial.  
The example shown would be: 29550-29476

Hinges come assembled with finials and screws finished to match.  
Wood screws are standard. Specify machine screws for metal doors on order.

Inquire about additional sizes.



# WATER STREET

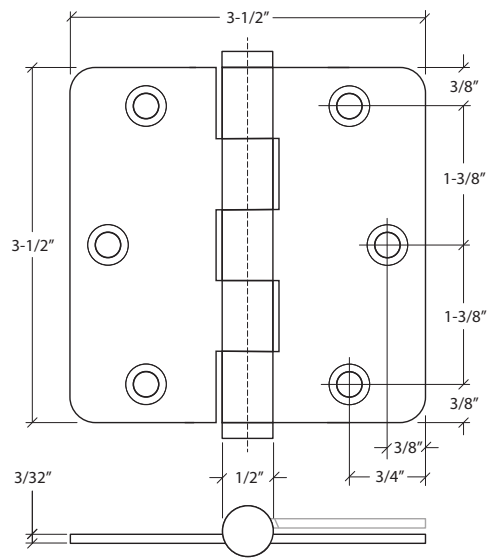


29476 FINIAL SHOWN

**29560** 3-1/2" X 3-1/2" HINGE -  
RESIDENTIAL  
1/4" RADIUS CORNERS  
1/2" FINIALS

Made to order.  
Lead time 4 - 6 weeks.

Manufactured in Lakewood, NY.





# 1/2" FINIAL SELECTION WATER STREET



29451



29456



29461



29466



29471



29476



29486



29486.C



29486.D



29486.R



29481



29496



29496.C



29496.D



29496.R



29491



29491.C



29491.D

## HOW TO ORDER YOUR DOOR HINGES AND FINIALS

To order, specify the hinge number then the desired finial.  
The example shown would be: 29560-29476

Hinges come assembled with finials and screws finished to match.  
Wood screws are standard. Specify machine screws for metal doors on order.

Inquire about additional sizes.