



WATER STREET

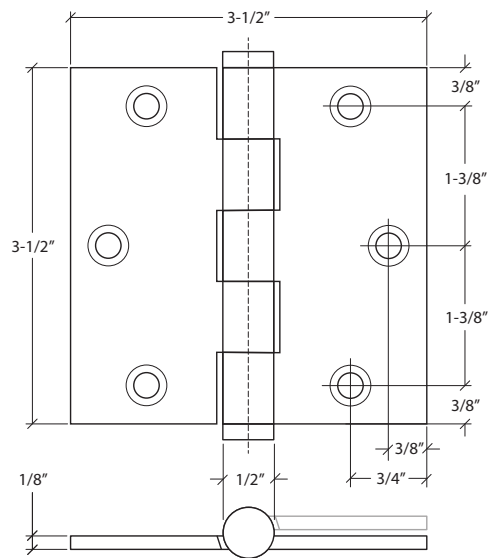


29476 FINIAL SHOWN

29520 3-1/2" X 3-1/2" HINGE -
ARCHITECTURAL
SQUARE CORNERS
1/2" FINIALS

Made to order.
Lead time 4 - 6 weeks.

Manufactured in Lakewood, NY.



1/2" FINIAL SELECTION



29451



29456



29461



29466



29471



29476



29486



29486.C



29486.D



29486.R



29481



29496



29496.C



29496.D



29496.R



29491



29491.C



29491.D

HOW TO ORDER YOUR DOOR HINGES AND FINIALS

To order, specify the hinge number then the desired finial.
The example shown would be: 29520-29476

Hinges come assembled with finials and screws finished to match.
Wood screws are standard. Specify machine screws for metal doors on order.

Inquire about additional sizes.

1/2" FINIAL SELECTION



29451



29456



29461



29466



29471



29476



29486



29486.C



29486.D



29486.R



29481



29496



29496.C



29496.D



29496.R



29491



29491.C



29491.D

HOW TO ORDER YOUR DOOR HINGES AND FINIALS

To order, specify the hinge number then the desired finial.
The example shown would be: 29540-29476

Hinges come assembled with finials and screws finished to match.
Wood screws are standard. Specify machine screws for metal doors on order.

Inquire about additional sizes.