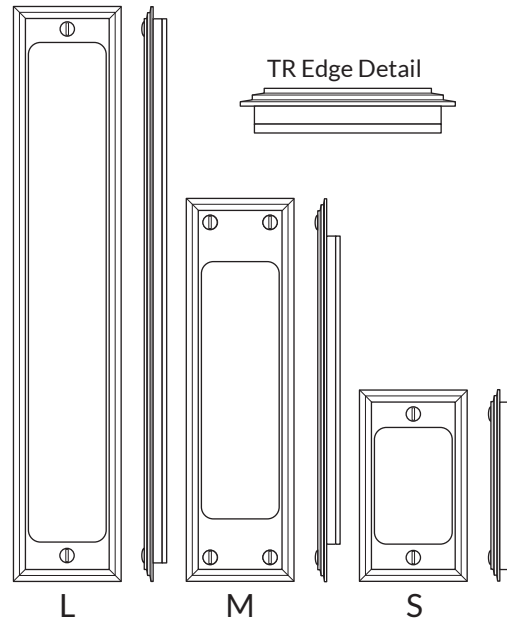




21247 Passage Flush Pull



TR EDGE DETAIL - SQUARE PROFILE

	Part Number	Width	Height
<b>L</b>	21246	2-1/4"	12"
<b>M</b>	21210	2-1/4"	8"
<b>S</b>	21247	2-1/4"	4"

The small flush pull can be used on doors 1-3/8" thick or greater.

- Passage function only

Surface mounting only.

When paired with a model 2000 edge pull, the flush pull should be offset from the edge pull body.

All escutcheons made to order.